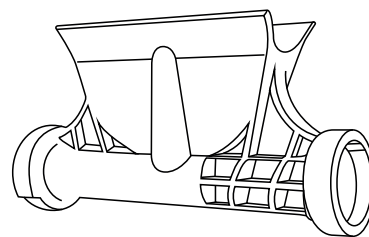
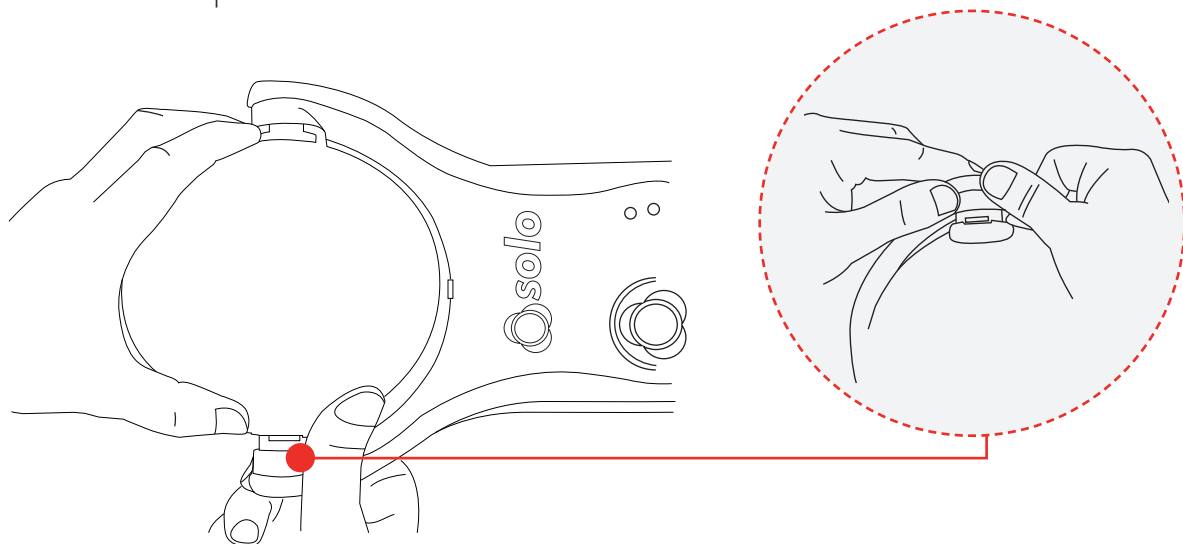


ASD Adaptor Installation

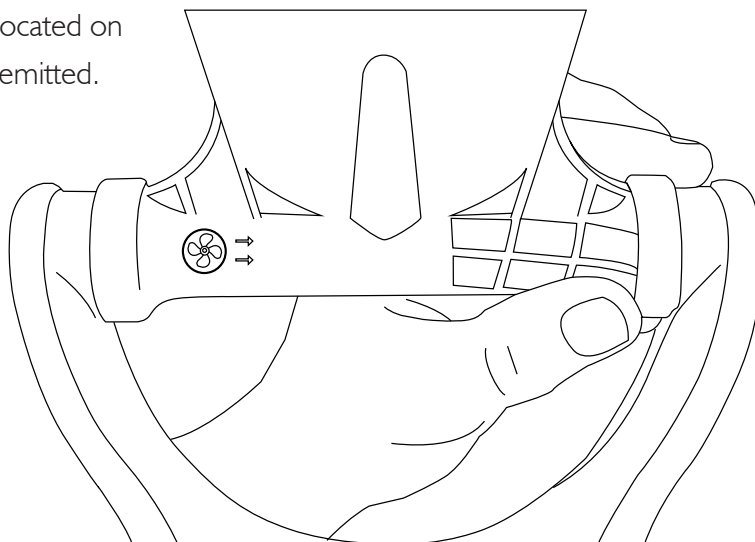


Users should note that using the Solo365 in this configuration is outside the scope of the UL classification for Solo365. The application has been thoroughly tested independently with all ASD technologies.

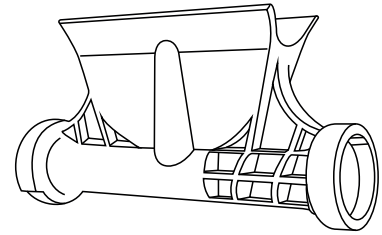
- Ensure Solo 365 is powered off
- With Solo 365 facing you, remove the cup by aligning the notch on the left hand side arm and disengage by squeezing the cup and gently easing the cup away from the arm
- Rotate the cup to free it from the other arm



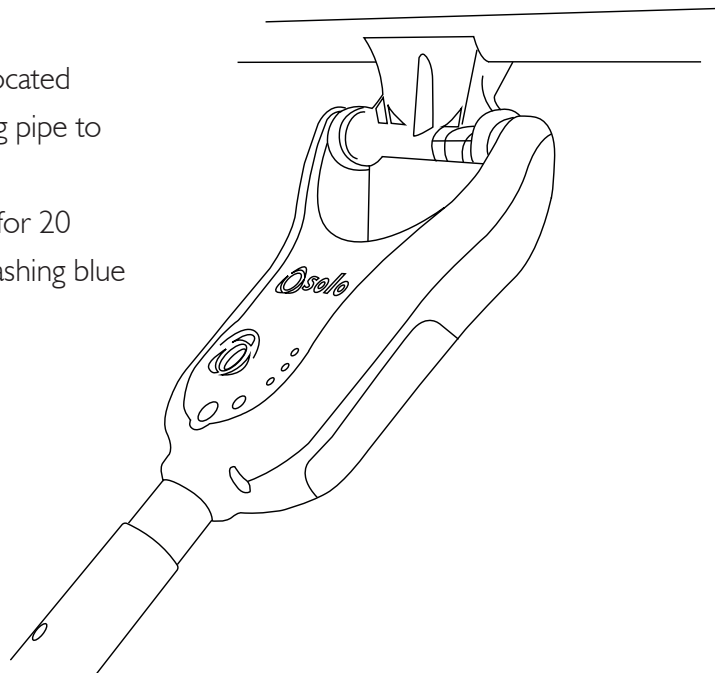
- Fit the ASD adaptor by locating into both arms. Ensure that the fan symbol is located on the side of the unit where smoke is emitted. (LHS when unit is facing the user).



ASD Adaptor Testing



- Power Solo 365 on
- Select the 'Delayed Start Mode' by pressing the 'function button' for one second – the status LEDs will flash orange
- Within 20 seconds ensure Solo365 is located over the sampling hole on the aspirating pipe to carry out the test
- Smoke will automatically be generated for 20 seconds indicated by the status LEDs flashing blue



No Climb Products Ltd
Edison House
163 Dixons Hill Road
Welham Green
Hertfordshire AL9 7JE
United Kingdom

